

# CD115

AK-INDUSTRIES GMBH



**AK Industries®**

**Measurement ranges 0 to 3500 mm**



## Compact sensor for industrie ranges

- *Protection class IP65*
- *Measurement range : 0 to 3500 mm*
- *Output Types : Analogue ore digital*
- *Customised version available*



**CD50WS10 Draw Wire Position Transducers**

**Introduction**

**AK-Industries is a manufacturer of high quality draw wire position transducer for industrial use.**

**Technische Daten**



**Analog**

Measurement ranges : 0 to 3000 mm  
 Potentiometer : 1 kΩ  
 Analog output: 0...10V ;  
 4...20 mA  
 Linearity: +/- 0,15%

**Digital output**

Measurement ranges : 0 to 3500 mm  
 Incremental output : 5 V DC ;  
 RS422 ; Push-Pull 11-30V ;  
 Push-Pull 5 to 30 V  
 Operation Temperatur: -20°C to  
 +70°C  
 Resolution Options 1;5;10 oder 25  
 Pulses /mm  
 Linearity : +/- 0,05%

**Absolut output**

Measurement ranges : 0 to 3500 mm  
 Incremental output : Profibus ; SSI ;  
 Can.Bus  
 Operation Temperatur: -20°C to  
 +70°C  
 Resolution Options 27,3 Pulses/mm  
 Linearity : +/- 0,05%

**CD115 analog**

Order Code CD115-3000-R01K-L05-C

Model Name

Measurement Range in mm  
 3000

**Output**

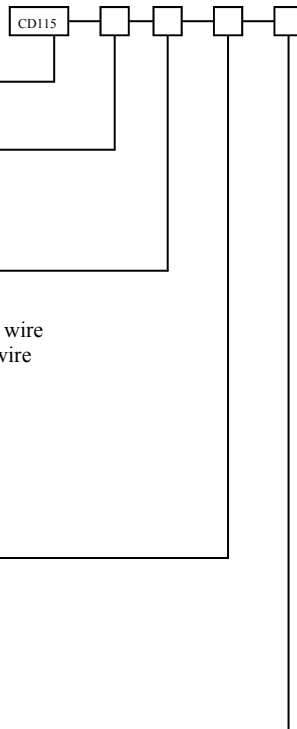
U10 = with 0 to 10 V signal conditioner  
 I420 = with 4 to 20 mA signal conditioner 2 wire  
 I420G = with 4 to 20 mA signal conditioner 3 wire  
**R01K = Potentiometer 1 kΩ**  
 R500 = Potentiometer 500W  
 R05K = Potentiometer 5kΩ  
 R10K = Potentiometer 10 kΩ

**Linearity**

L01 = +/- 0,01 % option  
**L05 = +/- 0,05 %**

**Connection**

**C = 8 pin socket DIN 45326**  
**K = Cable ( 1m)**





## CD115 Digital

Order Code CD115-3500-10-PP530-L15-C

**Model Name**

**Measurement Range in mm**

3500

**Pulses per mm**

01 = 1 Pulses per mm  
05 = 5 Pulses per mm  
**10 = 10 Pulses per mm**  
40 = 40 Pulses per mm  
80 = 80 Pulses per mm

**Output**

LD = Line Drive 5 V  
PP1130 = Push Pull ... 11 to 30V  
**PP0530 = Push Pull ... 5 to 30V**

**Linearity**

L05 = +/- 0,05 % option  
L10 = +/- 0,10 % option  
**L15 = +/- 0,15 %**

**Connection**

**C = 8 pin socket DIN 45325**  
K = Cable ( 1m)

## AK-INDUSTRIES GmbH

AK-Industries GmbH  
Schmiedgasse 34a  
53797 Lohmar

Telefon: 02246 / 302427  
02246 / 302858

Fax: 02246 / 911057

E-Mail: [ak-industries@t-online.de](mailto:ak-industries@t-online.de)

Internet : [www.ak-industries.de](http://www.ak-industries.de)



**CD115 Digital ( Absolut )**

Order Code CD115-3500-300-Prof-L05

Model Name

Measurement Range in mm

3500

**Pulses per mm**

27,3 Pulses per mm

**Output**

Prof = Prof-bus

SSI = Synchronous serial interface

Can = Can-bus

**Linearity**

L01 = +/- 0,10 % option

L05 = +/- 0,05 % full scale

**Connection**

See encoder

**AK-INDUSTRIES GmbH**

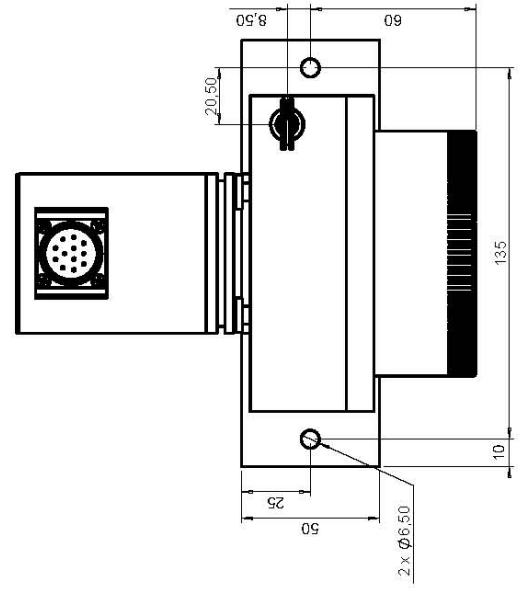
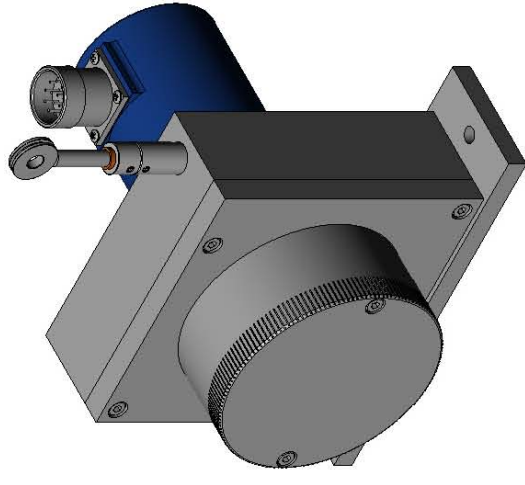
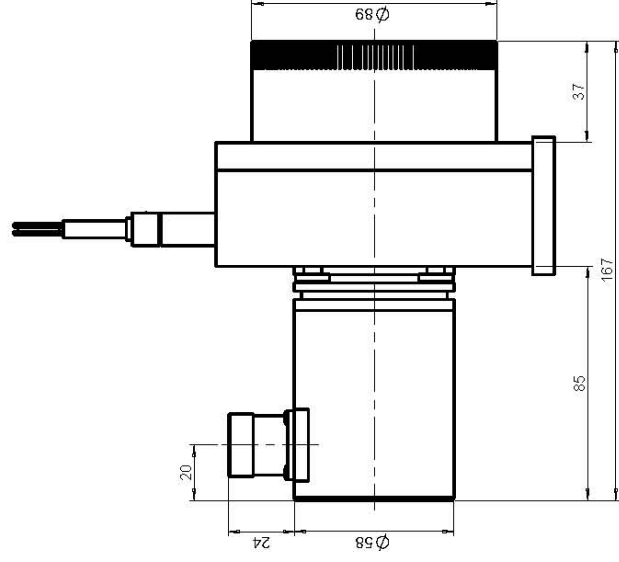
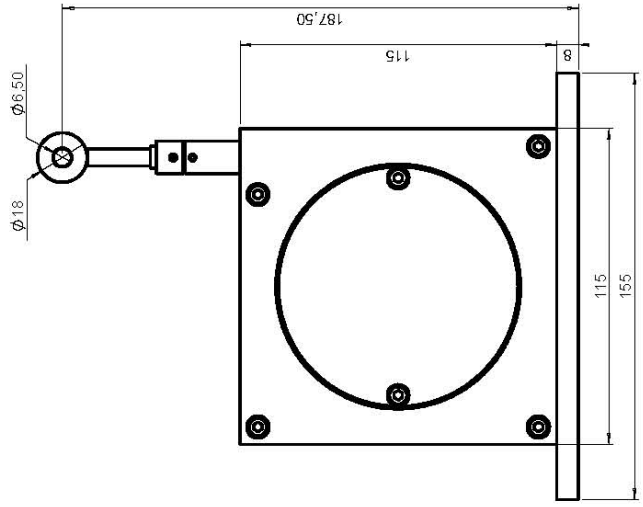
AK-Industries GmbH  
Schmiedgasse 34a  
53797 Lohmar

Telefon: 02246 / 302427  
02246 / 302858

Fax: 02246 / 911057

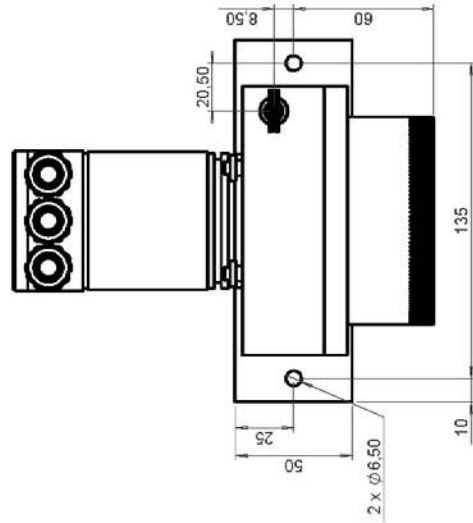
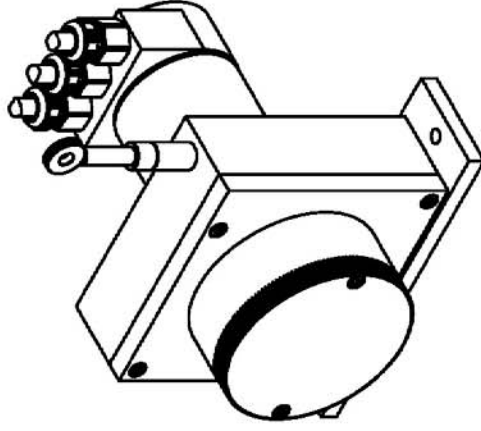
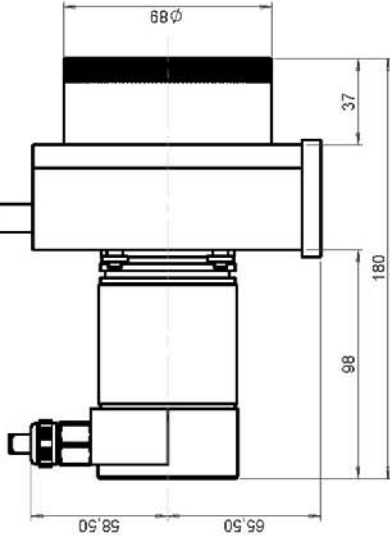
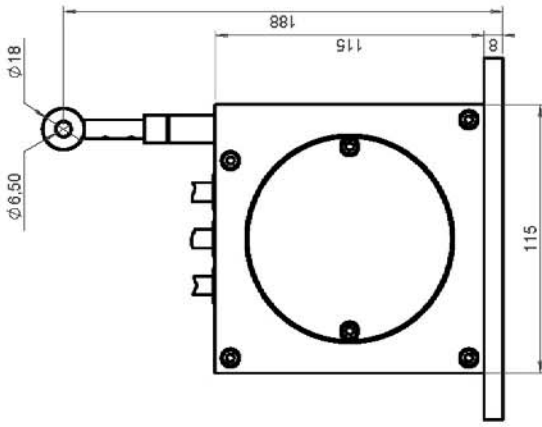
E-Mail: ak-industries@t-online.de

Internet : www.ak-industries.de



Rep	Nbr	Désignation	Matière	Observation
Format :	A3H	Définition :		T.G. : ±0,1
Echelle :	1 : 2	<b>CD115 Absolutausgang</b>		Traitement :
Dessiné par :	O.D.	Messlänge: 0 bis 3500 mmm		
Modifié par :		Ensemble :	Référence pièce:	
Vérifié par :		CD115 Absolut		
		plan N° :	Date :	
		12/24/05	15.06.2005	
		Indice	A	

**AK Industries**  
Schweißgas 34A  
D - 63797  
LOHMAR



Format : A3H	Ensemble- type: CAPTEUR A DEPLACEMENT LINEAIRE	Réf:	
Echelle: 1 : 2	Version: CD115-3500-300-PROF-L05	Réf:	CD115-0035
Dessiné par : OD	S/E:	Réf:	
Vérifié par:	plan N° :	Indice	Folio 1/1
	Date :	08/04/08	



ZA du Reithweg  
67440  
THAL- MARMOUTIER  
Copyright: AK Industries

