

CANOPEN USER MANUAL



ABSOLUTE ROTARY ENCODER WITH CAN-BUS INTERFACE
MHM510-CANO-001
MHK515-CANO-001
USER MANUAL

CANOPEN USER MANUAL

1. Introduction	3	4.5.2 Programming example: Limit switch, min.	26
1.1 Absolute rotary encoder	3	4.5.3 Limit switch, max:	26
1.2 CANopen technology.....	3	4.5.4 Programming example: Limit switch, Max.:	27
1.3 CAN Communication Reference Model.....	5	4.6 Changing the node number	27
1.4 Definitions	6	4.6.1 Example: Changing the node number... ..	28
2. Installation	7	4.7 Adjusting the baudrate.....	29
2.1 Electrical Connection.....	7	4.7.1 Example : Adjusting the baudrate.....	30
2.1.1 Bus connection.....	8	4.8 Transmission Mode	30
2.1.2 Cable connection	8	4.8.1 Cyclic Mode	30
2.1.3 Bus Termination.....	8	4.8.2 Disable the cyclic mode	31
2.2 Bus address.....	9	4.8.3 Sync Mode	31
2.2.1 Setting of the node number.....	9	4.8.4 Example: Number of Sync telegrams.....	32
2.3 Setting of the baudrate	9	4.8.5 Polled Mode	32
2.4 Meaning of the LEDs in the connection cap.....	10	4.9 Memory Transfer	33
2.5 Troubleshooting	11	4.10 Wiederherstellen der Standardeinstellungen	34
3. Device Configuration	12	5. Technical Data	34
3.1. CANopen data transmission	12	5.1. Electrical Data	34
3.1.1 The COB-ID	12	5.2. Mechanical Data.....	34
3.1.2 The Command Byte.....	13	5.3 Mechanical Drawings	36
3.1.3 The Object Directory	14	6. Models/Ordering Description	40
3.3.1 Manufacturer Specific Objects	15	7. Appendix	42
3.2 Operational Status	16	7.1 History encoder generations.....	42
3.2.1 Status: Operational.....	16	7.1.1 Encodergeneration	42
3.2.2 Status: Pre-Operational.....	16	7.1.2 Encodergeneration	42
3.2.3 Reset of the absolute rotary encoder....	17	7.2 List of tables.....	45
3.3 Transmission of the Actual Position.....	17	7.3 List of figures	45
4. Programming	18		
4.1 Operating Parameters	18		
4.1.1 Programming example: Operational parameter	19		
4.2 Resolution per Revolution	20		
4.2.1 Programming example: Resolution per revolution	21		
4.3 Total resolution.....	21		
4.3.1 Programming example: Total resolution	23		
4.4 Preset Value	24		
4.4.1 Programming example: Preset value.....	24		
4.5 Limit Switch, Min. and Max.	25		
4.5.1 Limit switch, Min:.....	25		

CANOPEN USER MANUAL

1. Introduction

This manual describes the implementing and configuration of an absolute rotary encoder with CANopen interface. The device fulfills the requirements of a CANopen device regarding the device specification DS406 of the CANopen user group.

1.1 Absolute rotary encoder

The basic principle of an absolute rotary encoder is the optical sampling of a transparent code disc which is fixed with the driving shaft.

The absolute rotary encoder has a maximum resolution of 65536 steps per revolution (16 Bit). The Multi-Turn version can detect up to 16384 revolutions (14 Bit). Therefore the largest resulting resolution is 30 Bit = $2^{30} = 1.073.741.824$ steps. The standard Single-Turn version has 12 Bit, the standard Multi-Turn version 24 Bit.

Open functions. The following modes can be programmed and enabled or disabled:

- Polled Mode
- Cyclic Mode
- Sync Mode

The protocol supports the programming of the following additional functions:

- Code sequence (Complement)
- Resolution per revolution
- Total revolutions
- Preset value
- Two limit switches
- Baudrate
- Node number
- velocity

The general use of absolute rotary encoders with CAN-Bus interface using the CAN Open protocol is guaranteed.

1.2 CANopen technology

CAN stands for Controller Area Network and was developed by the company Bosch for applications within the automobile area. In the meantime CAN has become increasingly used for industrial applications. CAN is a multi-masterable system, i.e. all users can access the bus at any time as long as it is free. CAN doesn't operate with addresses but with message identifiers. Access to the bus is performed according to the CSMA/CA principle (carrier sense multiple access with collision avoidance), i.e. each user listens if the bus is free, and if so, is allowed to send messages. If two users attempt to access the bus simultaneously, the one with the highest priority (lowest identifier) receives the permission to send. Users with lower priority interrupt their data transfer and will access the bus when it is free again. Messages can be received by every participant. Controlled by an acceptance filter the participant accepts only messages that are intended for it.

CANopen

Transmission Technology: Two-core cable

Baud rates: 20 kBaud up to 1 MBaud

Participants: maximum 127

Cable Length: 30 m for 1 MBaud
5000 m for 20 kBaud

The data communication is done via message telegrams. In general, telegrams can be split in a COB-Identifier and up to 8 following bytes. The COB-Identifier, which determines the priority of the message, is

CANOPEN USER MANUAL

made from the function code and the node number.

The node number is uniquely assigned to each user. With a BEI IDEACOD rotary encoder this number is assigned with by numerical coded turn switches in the connection cap. The function code varies according to the type of message transmitted:

- Administrative messages (LMT, NMT)
- Service data objects (SDOs)
- Process data Objects (PDOs)
- pre-defined messages (synchronization, emergency messages)

PDOs (Process Data Objects) are needed for real time data exchange. Since this messages possess a high priority, the function code and therefore the identifier are low. SDOs (service data objects) are necessary for the bus node configuration (e.g. transfer of device parameters). Because these message telegrams are transferred acyclicly (usually only while powering up the network), the priority is low.

BEI IDEACOD rotary encoders with CANopen interface support all CANopen functions. The following operating modes can be programmed:

- Polled mode:
The position value is only given upon request
- Cyclic Mode:
The position value is written cyclically (interval adjustable) to the bus
- Sync mode:

After receiving a sync message by the host, the encoder answers with the current process value. If a node is not required to answer after each sync message, a parameter sync counter can be programmed to skip a certain number of sync messages before answering again

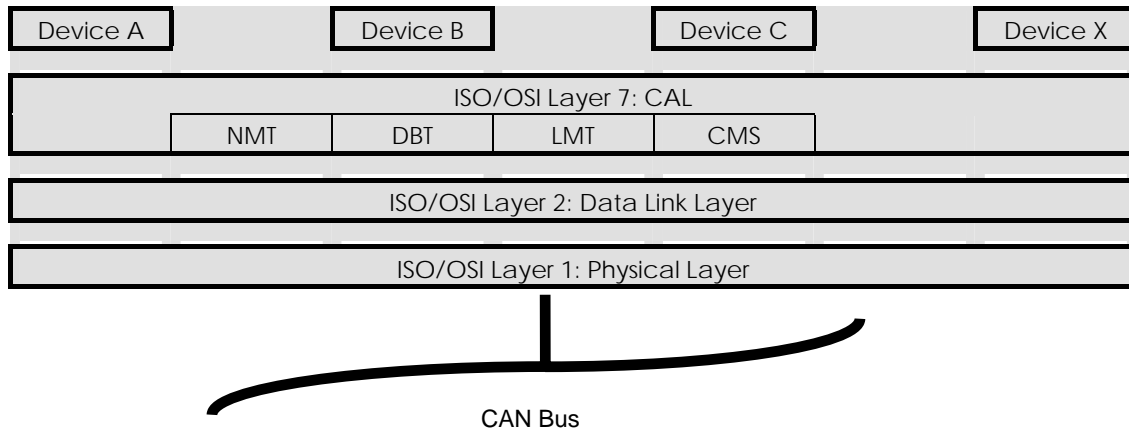
- Change of state mode:
The position value is transferred when changing

Further functions (direction of rotation, resolution, etc..) can be parameterized. BEI IDEACOD rotary encoders correspond with the class 2 profile for encoder (DSP 406), whereby the characteristics of rotary encoders with CANopen interface are defined. The link to the bus is made by terminal blocks in the connection cap. In addition, the node number and Baud rate are set with turn switches. For configuration and parameterization various software tools are available from different providers. With the help of the provided EDS file (electronic datasheet) simple line-up and programming are possible.

CANOPEN USER MANUAL

1.3 CAN Communication Reference Model

The communication concept can be described similar to the ISO-OSI Reference Model:



The communication model* supports synchronous and asynchronous messages. With respect to the functionality four different message objects are provided:

- Administrational Messages (LMT, NMT)
- Service Data Messages (SDO)
- Process Data Messages (PDO)
- Pre-defined Messages (Synchronisation and Emergency Messages)

Further information is available at:

CAN in Automation (CiA) International Users and Manufacturers Group e.V.
Am Weichselgarten 26
D-91058 Erlangen

(*) Reference: CAN Application Layer for Industrial Applications

CiA Draft Standard 201 ... 207, Version 1.1

CAL-based Communication Profile for Industrial Systems
CiA Draft Standard 301

CANOPEN USER MANUAL

1.4 Definitions

CAN	Controller Area Network	Additionally, following abbreviations are used in the manual:
CAL	CAN Application Layer	
CMS	CAN Message Specification. One of the service elements of the application layer in the CAN Reference Model.	APV Absolute Position Value
COB	Communication Object. (CAN message) A unit of transportation in a CAN Network. Data must be sent across a Network inside a COB.	CW Clockwise. Turning direction as seen on shaft. CCW Counterclockwise. Turning direction as seen on shaft.
COB-ID	COB-Identifier. Identifies a COB uniquely in a Network. The identifier determines the priority of that COB.	FC Function code. It determines the kind of message, which is sent across the CAN network.
LMT	Layer Management. One of the service elements of the application layer in the CAN Reference Model. It serves to configure parameters of each layer in the CAN Reference Model.	NN Node number. It determines uniquely the CAN device.
NMT	Network Management. One of the service elements of the application layer in the CAN Reference Model. It performs initialisation, configuration and error handling in a CAN network.	PV Preset value
SDO	Service Data Object. A data object with low priority to configure a CAN node.	PCV Process value
PDO	Process Data Object. A data object with high priority to transmit data in synchronous and asynchronous modes.	

CANOPEN USER MANUAL

2. Installation

2.1 Electrical Connection

The rotary encoder is connected by three cables. The power supply is achieved with a two-wire connection cable through one PG 9. Each one of the twisted-pair and shielded bus lines are guided in and out through two PG 9 on the right side (as seen on clamps)

Instructions to mechanically install and electrically connect the angular encoder

Clamp	Description
⊥	Ground
+	24 V Supply voltage
-	0 V Supply voltage
CG	CAN Ground
CL	CAN Low
CH	CAN High
CG	CAN Ground
CL	CAN Low
CH	CAN High



Do not remove or mount the connection cap while the encoder is under power!



Do not stand on the encoder!



Do not adapt the driving shaft additionally!



Avoid mechanical load!



Do not adapt the housing additionally!

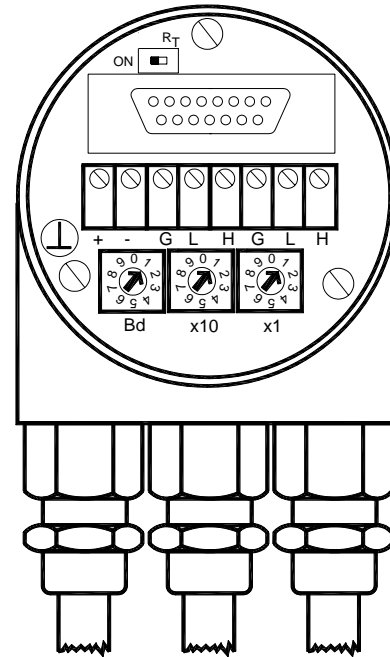


Fig. 1 Connection cap inside

BCD coded rotary switches	
	Dvice address 0...89
x1	Setting CAN-node number
x10	Adress reserved 90...99
Bd	Setting of the baud-rate

CANOPEN USER MANUAL

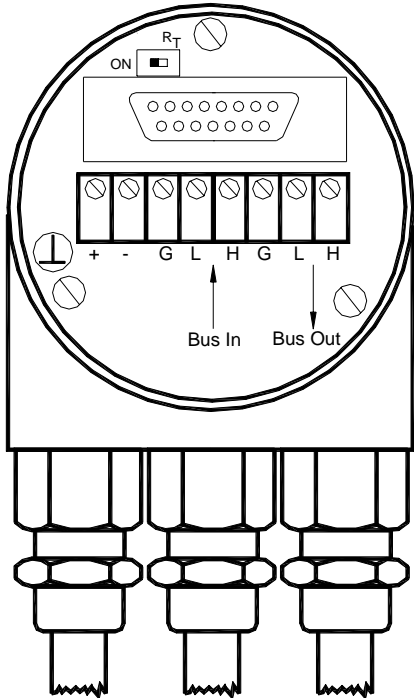


Fig. 3 Connection cap bus in and bus out

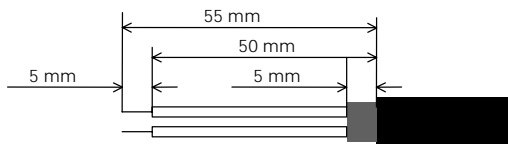


Fig. 4 Cable preparation

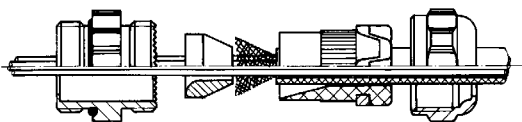


Fig. 2 Cable connection

2.1.1 Bus connection

The connection cap fulfills the function of a T-coupler. From there the wiring must be done according to the drawing on the left side. Please note the assignment of incoming and outgoing bus signals.



An activated bus termination resistor will lead into a separation of bus in and bus out signals!

2.1.2 Cable connection

Remove screw, sealing and cone from the cable gland. Remove 55 mm of the sheath and 50 mm of the shielding. About 5 mm of the wires should be de-isolated. Put screw, and sealing on the cable. The cone should be mounted under the shielding according to the figure 3. Put the whole cable into the cable gland and tighten the screw.

2.1.3 Bus Termination

If the encoder is connected at the end or beginning of the bus the termination resistor must be switched on. The termination resistor is switched on when the switch is in the ON position.



Separation of Bus In and Bus Out signals if termination resistor is activated.

There is a resistor provided in the connection cap, which must be used as a line termination on the last device.

Resistor:



Last Device



Device X

CANOPEN USER MANUAL

2.2 Bus address

The setting of the node number is achieved turn-switches in the connection cap. Possible (valid) addresses lie between 0 and 89 whereby every address can only be used once. 2 LEDs on the backside of the connection cap show the operating status of the encoder.



The CANopen Encoder adds internal 1 to the adjusted device address.

2.2.1 Setting of the node number

The setting of the node number is achieved by two turn-switches in the connection cap. The customer can easily remove the connection cap for installation by removing two screws at the backside of the encoder.

Protocol Definition via BCD address switches	
x1	Device address 97
x10	Automatic protocol selection according to kind of connection cap
x1	Device address 98
x10	Protocol selection according to DS301-V3
x1	Device address 99
x10	Protocol selection according to DS301-V4

Tab. 1 Protocol definition via BCD turn switches

2.3 Setting of the baudrate

The adjusting of the baudrate is achieved by one turn switch in the connection cap. The following baudrates are possible:

Baudrate kBit/s	in	BCD coded rotary switches
20		0
50		1
100		2
125		3
250		4
500		5
800		6
1000		7
reserved		8..9

Tab. 2 Assignment baudrate and turn switch

CANOPEN USER MANUAL

2.4 Meaning of the LEDs in the connection cap

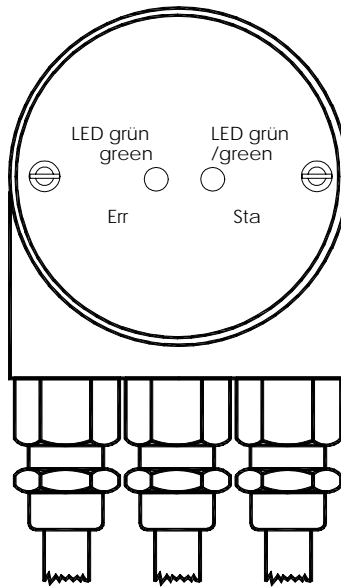


Fig. 5 Backside connection cap

Err Green LED	Sta Green LED	Meaning
off	off	No power supply
off	on	Encoder is ready, Boot Up message not sent (no further device on network, wrong baud rate) or encoder in prepared status
flashing	on	Boot Up message sent, device configuration is possible
on	on	Normal operation mode, Encoder in Operational Status

Tab. 3 Meaning status LED's

CANOPEN USER MANUAL

2.5 Troubleshooting

2.5.1 Power on – Encoder doesn't respond

Problem:

The bus is active but the installed encoder transmitted no boot up message.

Possible solution:

- switch of the PLC
- remove the connection cap of the encoder
- check the 2 turn-switches for the baudrate
- Assemble the connection cap
- power on

2.5.2 Malfunction of the position value during transmission

Problem:

During the transmission of the position value occasional malfunctions occurs.

Possible solution:

Check, if the last bus node has switched on the terminal resistor. If the last bus node is an encoder the terminal resistor is suited in the connection cap..

2.5.3 Too much ERROR-Frames

Problem:

The bus load is too high in case of too much error frames.

Possible solution:

Check if all bus node has the same baudrate. If one node has another baudrate error frames are produced automatically. The setting of the baudrate is described in this manual under 2.2 and 4.6.

2.5.4 Limit switches without function

Problem:

The encoder didn't transmit the bits for the limit switches.

Possible solution:

The limit switch functionality has to be activated once. Please follow the describing you can find at 4.5.

CANOPEN USER MANUAL

3. Device Configuration

3.1. CANopen data transmission

The data transmission in the CAN network is realised by message telegrams. Basically, ID and 8 following bytes as shown in the table below:

COB-ID	Command	Index		Subindex	Service-/Process- Data			
11 Bit	Byte 0	Byte 1	Byte 2	Byte 3	Byte 4	Byte 5	Byte 6	Byte 7
		Low	High		Low	→	→	High

these telegrams can be divided into the COB-

3.1.1 The COB-ID

The 11 Bit of COB-Identifier is built as follows:

10	9	8	7	6	5	4	3	2	1	0			
Function code				Node number									
X	X	X	X	X	X	X	X	X	X	X		X: free selectable	

The COB-Identifier determines uniquely the message object. It is built by the function code, identifying the message class and the node number, which determines the absolute

encoder. The node number can be adjusted by 2 rotary switches in the connection cap or optionally on customer request by a SDO.

Following function codes are available:

(rx) and (tx) as seen by the master !

Object	Function Code (Binary)	Result. COB-ID	Priority Class*
NMT	0000	0	0
SYNC	0001	128	0
Emergency	0001	129 - 255	0,1
PDO (rx)	0011	385 - 511	1,2
PDO (tx)	0100	513 - 639	2
PDO (rx)	0101	641 - 767	2,3
PDO (tx)	0110	769 - 895	3,4
SDO (rx)	1011	1409 - 1535	6
SDO (tx)	1100	1537 - 1663	6,7

Tab. 4 Overview priority of the CANopen objects

*Priority: 0 = highest priority, 7 = lowest priority

CANOPEN USER MANUAL

3.1.2 The Command Byte

The command byte contents the kind of telegram which is sent across the CAN network. One divides three kinds of telegrams: a Set-Parameter-Telegram (Domain Download), a Request-Telegram (Domain Upload) and Warnings.

The Request-Telegram is used by the master to read back stored parameters from a node.

Warnings are sent by the absolute rotary encoder to the master, if a sent telegram cannot be processed accordingly.

The Set-Parameter-Telegram is used to send parameter data to the encoder (node) for configuration.

Command	Function	Telegram	Description
22h	Domain Download	Request	Parameter to encoder
60h	Domain Download	Confirmation	Parameter received
40h	Domain Upload	Request	Parameter request
43h, 4Bh, 4Fh (*)	Domain Upload	Reply	Parameter to Master
80 h	Warning	Reply	Transmission error

Tab. 5 Command description

(*)The value of the command byte depends on the data length of the called parameter:

Command	Data length	Data length
43h	4 Byte	Unsigned 32
4Bh	2 Byte	Unsigned 16
4Fh	1 Byte	Unsigned 8

Tab. 6 Data length against command byte

CANOPEN USER MANUAL

3.1.3 The Object Directory

The data transmission according to CAN is realised exclusively by object oriented data messages. The objects are classified in groups by an index record. Each index entry can be subdivided by sub-indices. The overall layout of the standard object dictionary is shown beside:

Index (hex)	Object
0000	not used
0001-001F	Static Data Types
0020-003F	Complex Data Types
0040-005F	Manufacturer Specific Data Types
0060-0FFF	Reserved for further use
1000-1FFF	Communication Profile Area
2000-5FFF	Manufacturer Specific Profile Area
6000-9FFF	Standardised Device Profile Area
A000-FFFF	Reserved for further use

Tab. 7 General object dictionary

Following objects according to the communication profile CAN OPEN (refer to DS 301) are implemented into the absolute rotary encoder:

Index	Object	Name	Data Length	Attr.
1000h	VAR	Device type	Unsigned32	const
1001h	VAR	error register	Unsigned8	ro
1002h	VAR	manufacturer status register	Unsigned32	ro
1003h	ARRAY	pre-defined error field	Unsigned32	ro
1004h		Reserved for compatibility reason		
1005h	VAR	COB-ID SYNC-message	Unsigned32	rw
1008h	VAR	device name	Vis-String	const
1009h	VAR	hardware version	Vis-String	const
100Ah	VAR	software version	Vis-String	const
100Bh		Reserved for compatibility reason		
1010h	VAR	Store parameters	Unsigned32	rw
1011h	VAR	Restor parameters	Unsigned32	rw

Tab. 8 Object dictionary according DS301

CANOPEN USER MANUAL

3.3.1 Manufacturer Specific Objects

Additionally, following manufacturer specific communication objects are implemented:

Index	Subindex	Object	Name	Data length	Attr.
1800h		RECORD	Communication parameter PDO 1		ro
1800h	0h	VAR	number of supp. entries	Unsigned 8	ro
1800h	1h	VAR	COB-ID used by PDO	Unsigned 32	rw
1800h	2h	VAR	transmission type	Unsigned 8	rw
1800h	3h	VAR	inhibit time	Unsigned 8	rw
1802h		RECORD	Communication parameter PDO 2		ro
1802h	0h	VAR	number of supp. entries	Unsigned 8	ro
1802h	1h	VAR	COB-ID used by PDO	Unsigned 32	rw
1802h	2h	VAR	transmission type	Unsigned 8	rw
1802h	3h	VAR	inhibit time	Unsigned 8	rw
2000h		VAR	process value	Unsigned 32	ro
2100h		VAR	operating parameters	Unsigned 16	rw
2101h		VAR	resolution/revolution	Unsigned 16	rw
2102h		VAR	total resolution	Unsigned 32	rw
2103h		VAR	preset value	Unsigned 32	rw
2104h		VAR	Limit switch, min.	Unsigned 32	rw
2105h		VAR	Limit switch, max.	Unsigned 32	rw
2200h		VAR	Cycle time	Unsigned 16	rw
2300h		VAR	Store parameters	Unsigned 32	wo

Tab. 9 Manufacturer specific object dictionary

Index	Subindex	Objekt	Name	Datenlänge	Attr.
3000h		VAR	Knotennummer	Unsigned 8	rw
3001h		VAR	Datenrate	Unsigned 8	rw

Tab. 10 Nodenummer and baudrate

The programmable communication objects and encoder parameters are explained in detail in the next chapter.

VAR:	Variable
RECORD:	Data field
ARRAY:	Data field
ro:	read only
rw:	read, write
wo:	write only

CANOPEN USER MANUAL

3.2 Operational Status

The absolute rotary encoder accesses the CAN network 4 s after power on in pre-operational status:

FC	NN	Comand	Index	Subindex	S-/P-Data	Description
1110	XXXXXXX					Boot-Up message

All values except the FC are hexadecimal

It is recommended, to set the parameters (see: 7.2 Programming) while the Encoder is in the pre-operational status. During this status activity on the network is low what makes it

easier to prove the correctness of the sent/received SDOs. As it is not possible to send or receive PDOs in pre-operational status, stress for the Encoder will be reduced.

3.2.1 Status: Operational

To put one or all nodes in the operational state, following message is sent by the master:

FC	NN	Command	Index	Subindex	S-/P-Data	Description
0000 b	0 d	01 h	00			NMT-Start, all nodes
0000 b	0 d	01 h	NN			NMT-Start, NN

It is possible to put all the nodes in operational status (Index 0) or only one node (Index NN).

3.2.2 Status: Pre-Operational

To set one node in the Pre-Operational state the following telegram has to be transmitted from the master:

FC	NN	Command	Index	Subindex	S-/P-Data	Description
0000 b	0 d	80 h	NN			NMT-PreOp, NN

NN: node number

CANOPEN USER MANUAL

3.2.3 Reset of the absolute rotary encoder

If a node is not functioning well, it is recommended to perform a RESET:

FC	NN	Command	Index	Subindex	S-/P-Data	Description
0000 b	0 d	81 h	NN			NMT-Reset, NN

NN: node number

The notified Absolute Rotary Encoder accesses the bus in pre-operational status after resetting.

3.3 Transmission of the Actual Position

The process value is sent across the CAN network with the following telegram:

COB-ID	Process value			
11 Bit	Byte 0	Byte 1	Byte 2	Byte 3
	2^7 to 2^0	2^{15} to 2^8	2^{23} to 2^{16}	2^{31} to 2^{24}

The COB-ID contains the node number and the according PDO(rx). By default the process value is sent with the function code PDO(rx) 0011 and as a response to the Sync-telegram with the function code PDO(rx) 0101.

CANOPEN USER MANUAL

4. Programming

The setting of parameters should be done always in pre-operational status. The monitoring of the sent and received messages becomes much easier.

It is important to follow the presented sequence of the parameter settings. If values of parameters are not



changed then they can be skipped.

Following values are written in hexadecimal notation with the exception of the function code which value is given binary and the node number (decimal value).

Every parameter has a general description and an example.

4.1 Operating Parameters

As operating parameters the code sequence (Complement) can be selected and the limit switches can be turned on or off.

CMS	Index	Default value	Value range	Data length
SDO	2100h	0h	0h - Fh	Unsigned16

General parameter description

Master to Absolute Rotary Encoder: Set-Parameter

FC	NN	Command	Index	Subindex	Service/Process data			
SDO(tx)		Download	2100h		Byte 4	Byte 5	Byte 6	Byte 7
1100 b	1-90 d	22	00 21	00	X	00	00	00

X: Hex value of bit combination bit 0-2

The parameter code sequence (Complement) determines the counting direction, in which the output process value increases or decreases. The code sequence is determined by Bit 0 in Index 2100h:

Bit 0	Code sequence	Code
0	CW	increasing
1	CCW	increasing

Additionally, the two limit switches, Min. and Max. can be turned on or off in Index 2100h:

Bit 1	Limit switch, min.
0	turned off
1	turned on

Bit 2	Limit switch, max.
0	turned off
1	turned on

CANOPEN USER MANUAL

After a successful transmission the encoder answered with the following confirmation telegram:

FC	NN	Command	Index		Subindex	Service/Process data			
SDO(rx)		Download	2100h			Byte 4	Byte 5	Byte 6	Byte 7
1011 b	1-90 d	60	00	21	00	00	00	00	00

4.1.1 Programming example: Operational parameter

Target: Absolute rotary encoder with direction CCW increasing and both limit switches disabled

Bitmatrix:

Bit 0 = 1 Direction increasing (CCW)

Bit 1 = 0 Limit switch min. disabled

Bit 2 = 0 Limit switch max. disabled

Result bitmatrix X = 01h

Nodenummer NN = 01

Master to Absolute Rotary Encoder: Set-Parameter

FC	NN	Command	Index		Subindex	Service/Process data			
SDO(tx)		Download	2100h			Byte 4	Byte 5	Byte 6	Byte 7
1100 b	01 d	22	00	21	00	01	00	00	00

Absolute Rotary Encoder to Master: Confirmation

FC	NN	Command	Index		Subindex	Service/Process data			
SDO(rx)		Download	2100h			Byte 4	Byte 5	Byte 6	Byte 7
1011 b	01 d	60	00	21	00	00	00	00	00

CANOPEN USER MANUAL

4.2 Resolution per Revolution

The parameter Resolution per Revolution is per revolution. Each value between 1 and used to program the desired number of steps 65536 can be realised.

CMS	Index	Default value	Value range	Data length
SDO	2101h	(*)	0h - 8000h	Unsigned16

(*) see: type sign

The following value range is valid for a resolution per revolution of 16 bit

CANOPEN USER MANUAL

CMS	Index	Default value	Value range	Data length
SDO	2101h	(*)	0h - 10000h	Unsigned32

(*) see: type sign

General parameter description

Master to Absolute Rotary Encoder: Set-Parameter

FC	NN	Command	Index	Subindex	Service/Process data			
SDO(tx)		Download	2101h		Byte 4	Byte 5	Byte 6	Byte 7
1100 b	1-90 d	22	01 21	00	X	X	Y	Y

X: desired resolution per revolution (>15 Bit)

Y: desired resolution per revolution (16 Bit)

If the desired value exceeds the hardware resolution of the encoder, the code will not be transmitted stepwise. So it is important, to keep the parameter in the possible value range.

After a successful transmission the encoder answered with the following confirmation telegram:

FC	NN	Command	Index	Subindex	Service/Process data			
SDO(rx)		Download	2101h		Byte 4	Byte 5	Byte 6	Byte 7
1011 b	1-90 d	60	01 21	00	00	00	00	00

4.2.1 Programming example: Resolution per revolution

Target: Absolute rotary encoder with 4096 steps per revolution

Resolution per revolution: 4096 steps = 1000 h

Node Number NN = 1

Master to Absolute Rotary Encoder: Set-Parameter

FC	NN	Command	Index	Subindex	Service/Process data			
SDO(tx)		Download	2101h		Byte 4	Byte 5	Byte 6	Byte 7
1100 b	1-90 d	22	01 21	00	X	X	Y	Y

Absolute Rotary Encoder to Master: Confirmation

FC	NN	Command	Index	Subindex	Service/Process data			
SDO(rx)		Download	2101h		Byte 4	Byte 5	Byte 6	Byte 7
1011 b	1-90 d	60	01 21	00	00	00	00	00

4.3 Total resolution

CANOPEN USER MANUAL

This parameter is used to program the desired number of measuring units over the total measuring range. This value must not exceed the total resolution of the absolute rotary encoder, which is printed on the type plate of the encoder.

CMS	Index	Default value	Value range	Data length
SDO	2102h	(*)	0h - 4.000.000h	Unsigned32

(*) refer to: type plate of encoder

Attention:

Following formula letter will be used:

PGA Physical total resolution of the encoder (see type shield)

PAU Physical resolution per revolution (see type shield)

GA Total resolution
 (customer parameter)

AU Resolution per revolution
 (customer parameter)

If the desired resolution per revolution is less than the really physical resolution per revolution of the encoder, then the total resolution must be entered as follows:

Total resolution: $GA = \frac{(PGA * AU)}{PAU}, AU \leq PAU$

Fig. 6 Calculation formula for total resolution

Calculation example:

Customer handicap: AU = 2048,

Encoder type shield:

PGA=24 bit, PAU=12bit

$$GA = \frac{(16777216 * 2048)}{4096}$$

$$GA = 8388608$$

CANOPEN USER MANUAL

If the total resolution of the encoder is less than the physical total resolution, the parameter total resolution must be a multiple of the physical total resolution:

$$k = \frac{PGA}{GA}, k = \text{ganze Zahl}$$

General parameter description

Master to Absolute Rotary Encoder: Set-Parameter

FC	NN	Command	Index	Subindex	Service/Process data			
SDO(tx)		Download	2102h		Byte 4	Byte 5	Byte 6	Byte 7
1100 b	1-90 d	22	02 21	00	X	X	X	X

X: desired total resolution

After a successful transmission the encoder answered with the following confirmation telegram:

FC	NN	Command	Index	Subindex	Service/Process data			
SDO(rx)		Download	2102h		Byte 4	Byte 5	Byte 6	Byte 7
1011 b	1-90 d	60	02 21	00	00	00	00	00

4.3.1 Programming example: Total resolution

Target: Absolute rotary encoder with a total resolution of 24 bit

Total resolution 24 bit is equivalent to 1000000 h

Node number NN = 1

Master to Absolute Rotary Encoder: Set-Parameter

FC	NN	Command	Index	Subindex	Service/Process data			
SDO(tx)		Download	2102h		Byte 4	Byte 5	Byte 6	Byte 7
1100 b	01 d	22	02 21	00	00	00	00	01

X: desired total resolution

After a successful transmission the encoder answered with the following confirmation telegram:

FC	NN	Command	Index	Subindex	Service/Process data			
SDO(rx)		Download	2102h		Byte 4	Byte 5	Byte 6	Byte 7
1011 b	01 d	60	02 21	00	00	00	00	00

CANOPEN USER MANUAL

4.4 Preset Value

The preset value is the desired position value, which should be reached at a certain physical position of the axis. The position value is set to the desired process value by the parameter preset.

The preset value must not exceed the parameter total resolution to avoid run-time errors.

CMS	Index	Default value	Value range	Data length
SDO	2103h	0h	0h - total resolution	Unsigned32

General parameter description

Master to Absolute Rotary Encoder: Set-Parameter

FC	NN	Command	Index	Subindex	Service/Process data			
SDO(tx)		Download	2103h		Byte 4	Byte 5	Byte 6	Byte 7
1100 b	1-90 d	22	03 21	00	X	X	X	X

X: desired preset value

After a successful transmission the encoder answered with the following confirmation telegram:

FC	NN	Command	Index	Subindex	Service/Process data			
SDO(rx)		Download	2103h		Byte 4	Byte 5	Byte 6	Byte 7
1011 b	1-90 d	60	03 21	00	00	00	00	00

4.4.1 Programming example: Preset value

Target: Absolute rotary encoder with the preset value 0

Preset value 0 is equivalent to X = 0h

Node number NN = 1

Master to Absolute Rotary Encoder: Set-Parameter

FC	NN	Command	Index	Subindex	Service/Process data			
SDO(tx)		Download	2103h		Byte 4	Byte 5	Byte 6	Byte 7
1100 b	01 d	22	03 21	00	00	00	00	00

X: desired preset value

Absolute Rotary Encoder to Master: Confirmation

FC	NN	Command	Index	Subindex	Service/Process data			
SDO(rx)		Download	2103h		Byte 4	Byte 5	Byte 6	Byte 7
1011 b	01 d	60	03 21	00	00	00	00	00

CANOPEN USER MANUAL

4.5 Limit Switch, Min. and Max.

Two position values can be programmed as limit switches. By reaching these values one bit of the 32 bit process value is set to high. Both programmed values must not exceed the parameter total resolution to avoid run-time errors.

- Bit 30 = 1: Limit Switch, Min. reached or passed under
- Bit 31 = 1: Limit Switch, Max. reached or passed beyond

4.5.1 Limit switch, Min:

CMS	Index	Default value	Value range	Data length
SDO	2104h	0h	0h - total resolution	Unsigned32

The limit switch, Min sets Bit 30=1 with the next message telegram, if the process value reaches or passes under the value of the limit switch:

Function	Statusbits	Process value																															
Bit	31 30 29 28 27 26 25 24 23 22 21 20 19 18 17 16 15 14 13 12 11 10 9 8 7 6 5 4 3 2 1 0																																
	0 1 0 0 0 0 0 0 X																																

General parameter description

Master to Absolute Rotary Encoder: Set-Parameter

FC	NN	Command	Index	Subindex	Service/Process data			
SDO(tx)		Download	2104h		Byte 4	Byte 5	Byte 6	Byte 7
1100 b	1-90 d	22	04 21	00	X	X	X	X

X: desired minimum value

After a successful transmission the encoder answered with the following confirmation telegram:

FC	NN	Command	Index	Subindex	Service/Process data			
SDO(rx)		Download	2104h		Byte 4			Byte 7
1011 b	1-90 d	60	04 21	00	00	00	00	00

CANOPEN USER MANUAL

4.5.2 Programming example: Limit switch, min.

Target: Absolute rotary encoder with limit switch min.

Limit switch ma. position: X = 1000h (is equivalent to 4096 d)

Node number: NN = 1

Master to Absolute Rotary Encoder:Set-Parameter

FC	NN	Command	Index			Subindex	Service/Process data			
SDO(tx)		Download	2104h				Byte 4	Byte 5	Byte 6	Byte 7
1100 b	01 d	22	04	21	00	00	10	00	00	

X: desired maximum value

Absolute Rotary Encoder to Master:Confirmation

FC	NN	Command	Index			Subindex	Service/Process data			
SDO(rx)		Download	2104h				Byte 4	Byte 5	Byte 6	Byte 7
1011 b	01 d	60	04	21	00	00	00	00	00	

4.5.3 Limit switch, max:

CMS	Index	Default value	Value range	Data length
SDO	2105h	0h	0h - total resolution	Unsigned32

The limit switch, max sets Bit 31=1 with the next message telegram, if the process value reaches or passes over the value of the limit switch:

Function	Statusbits																Process value															
Bit	31	30	29	28	27	26	25	24	23	22	21	20	19	18	17	16	15	14	13	12	11	10	9	8	7	6	5	4	3	2	1	0
	1	0	0	0	0	0	0	X	X	X	X	X	X	X	X	X	X	X	X	X	X	X	X	X	X	X	X	X	X	X	X	X

General parameter description

Master to Absolute Rotary Encoder:Set-Parameter

FC	NN	Command	Index			Subindex	Service/Process data			
SDO(tx)		Download	2105h				Byte 4	Byte 5	Byte 6	Byte 7
1100 b	1-90 d	22	05	21	00	X	X	X	X	

X: desired maximum value

After a successful transmission the encoder answered with the following confirmation telegram:

CANOPEN USER MANUAL

FC	NN	Command	Index		Subindex	Service/Process data			
SDO(rx)		Download	2105h			Byte 4	Byte 5	Byte 6	Byte 7
1011 b	1-90 d	60	05	21	00	00	00	00	00

4.5.4 Programming example: Limit switch, Max.:

Target: Absolute rotary encoder with limit switch max.

Limit switch ma. position: X = 5000h

Node number: NN = 1

Master to Absolute Rotary Encoder:Set-Parameter

FC	NN	Command	Index		Subindex	Service/Process data			
SDO(tx)		Download	2105h			Byte 4	Byte 5	Byte 6	Byte 7
1100 b	01 d	22	05	21	00	00	50	00	00

X: desired maximum value

Absolute Rotary Encoder to Master:Confirmation

FC	NN	Command	Index		Subindex	Service/Process data			
SDO(rx)		Download	2105h			Byte 4	Byte 5	Byte 6	Byte 7
1011 b	01 d	60	05	21	00	00	00	00	00

4.6 Changing the node number

CMS	Index	Defaultvalue	Value range	Data length
SDO	3000h	20h	0h-89h	Unsigned 8

General parameter description

FC	KN	Command	Index		Subindex	Service-/Processdata			
SDO(tx)		Download	3000h			Byte 4	Byte 5	Byte 6	Byte 7
1100 b	1-90 d	22	00	30	00	X	00	00	00

X: 7 Bit to adjust the node number

After successful transmission the encoder answered with the following telegram:

FC	NN	Command	Index		Subindex	Service-/Processdata			
SDO(rx)		Download	3000h			Byte 4	Byte 5	Byte 6	Byte 7
1011 b	1-90 d	60	00	30	00	00	00	00	00

CANOPEN USER MANUAL

4.6.1 Example: Changing the node number

Target: Absolute rotary encoder with node number 5

Default node number: 32 d

The changed node number is confirmed by the encoder but only after a

- Store command (Objekt 2300 hex)
- Store command (Objekt 1010 hex) and NMT reset module or NMT reset communication

valid.

To adjust the node number only one byte is used whereby the encoder adds one to the programmed value.

Setting node number 5:

Bit	7	6	5	4	3	2	1	0
value	-	64	32	16	8	4	2	1
example	0	0	0	0	0	1	0	0

$1 \cdot 4 + 0 + 0 = 4 + 1 = 5$ node number

Master to Absolute Rotary Encoder:Set-Parameter

FC	NN	Command	Index		Subindex	Service-/Processdata			
SDO(tx)		Download	3000h			Byte 4	Byte 5	Byte 6	Byte 7
1100 b	32 d	22	00	30	00	04	00	00	00

X: 7 Bit to adjust the node number

Absolute Rotary Encoder to Master:Confirmation

FC	NN	Command	Index		Subindex	Service-/Processdata			
SDO(rx)		Download	3000h			Byte 4	Byte 5	Byte 6	Byte 7
1011 b	32 d	60	00	30	00	00	00	00	00

CANOPEN USER MANUAL

4.7 Adjusting the baudrate

CMS	Index	Defaultvalue	Value range	Data length
SDO	3001h	20h	0h-8h	Unsigned 8

General parameter description

FC	NN	Command	Index	Subindex	Service-/Processdata			
SDO(tx)		Download	3001h		Byte 4	Byte 5	Byte 6	Byte 7
1100 b	1-90 d	22	00 31	00	X	00	00	00

X: 3 Bit to adjust the Baudrate

After successful transmission the encoder answered with the following telegram:

FC	NN	Command	Index	Subindex	Service-/Processdata			
SDO(rx)		Download	3001h		Byte 4	Byte 5	Byte 6	Byte 7
1011 b	1-90 d	60	00 31	00	00	00	00	00

Eight different baud rates are provided. To adjust the baudrate only one byte is used.

Adjusting Baudrate:

Baudrate in kBit/s	Bit						
	7	6	5	4	3	2	1
20	0	0	0	0	0	0	0
50	0	0	0	0	0	0	1
100	0	0	0	0	0	1	0
125	0	0	0	0	0	1	1
250	0	0	0	0	1	0	0
500	0	0	0	0	1	0	1
800	0	0	0	0	1	1	0
1000	0	0	0	0	1	1	1

Tab. 11 Bit assignment for baudrate adjustment

CANOPEN USER MANUAL

The changing of the baudrate is confirmed by the encoder but is only saved after a

- Store command (object 2300 hex)
- Store command (object 1010 hex) and NMT Reset Modul or NMT Reset communication

4.7.1 Example : Adjusting the baudrate

Target: Absolute rotary encoder with a baudrate of 250 kBaud

Default baudrate: 20 kBaud

Default node number: NN = 32 d

FC	NN	Command	Index		Subindex	Service-/Processdata			
SDO(tx)		Download	3001h			Byte 4	Byte 5	Byte 6	Byte 7
1100 b	32 d	22	00	31	00	04	00	00	00

X: 3 Bit to adjust the Baudrate

After successful transmission the encoder answered with the following telegram:

FC	NN	Command	Index		Subindex	Service-/Processdata			
SDO(rx)		Download	3001h			Byte 4	Byte 5	Byte 6	Byte 7
1011 b	32 d	60	00	31	00	00	00	00	00

4.8 Transmission Mode

4.8.1 Cyclic Mode

The absolute rotary encoder transmits cyclic - without being called by the host - the current process value. The cycle time can be programmed in milliseconds for values between 1 ms and 65536 ms (e.g.: 64h = 100ms).

CMS	Index	Default value	Value range	Data length
SDO	2200h	64 h	1h - 10.000h	Unsigned16

General parameter description

Master to Absolute Rotary Encoder:Set-Parameter

FC	NN	Command	Index		Subindex	Service/Process data			
SDO(tx)		Download	2200h			Byte 4	Byte 5	Byte 6	Byte 7
1100 b	1-90 d	22	00	22	00	X	X	00	00

X: desired cycle time

CANOPEN USER MANUAL

Absolute Rotary Encoder to Master:Confirmation

FC	NN	Command	Index		Subindex	Service/Process data			
SDO(rx)		Download	2200h			Byte 4	Byte 5	Byte 6	Byte 7
1011 b	1-90 d	60	00	22	00	00	00	00	00

4.8.2 Disable the cyclic mode

To switch off the cyclic mode of the absolute rotary encoder the following telegram (cyclic mode disable) can be sent:

Master to Absolute Rotary Encoder: Set-parameter

FC	NN	Command	Index		Subindex	Service/Process data			
SDO(tx)		Download	2200h		0h	Byte 4	Byte 5	Byte 6	Byte 7
1100 b	1-90 d	22	00	22	00	00	00	00	00

Absolute Rotary Encoder to Master: Confirmation

FC	NN	Command	Index		Subindex	Service/Process data			
SDO(rx)		Download	2200h		0h	Byte 4	Byte 5	Byte 6	Byte 7
1011 b	1-90 d	60	00	22	00	00	00	00	00

4.8.3 Sync Mode

After reception of the SYNC-telegram by the host the absolute rotary encoder sends the actual position value. If multiple nodes are programmed for the SYNC-mode they answer following their COB-Ids. The programming of an offset time is not applicable. It is also possible to program a number of SYNC telegrams which are ignored

CMS	Index	Subindex	Defaultwert	Value range	Data length
SDO	1802h	2h	1h	1h - 100h	Unsigned 8

General parameter description

FC	NN	Command	Index		Subindex	Service/Process data			
SDO(tx)		Download	1802h		2h	Byte 4	Byte 5	Byte 6	Byte 7
1100 b	1-90 d	22	02	18	02	X	0	0	0

X: number of Sync-Telegrams after which the Encoder sends the process value

CANOPEN USER MANUAL

Absolute Rotary Encoder to Master: Confirmation

FC	NN	Command	Index		Subindex	Service/Process data			
SDO(rx)		Download	1802h		2h	Byte 4	Byte 5	Byte 6	Byte 7
1011 b	1-90 d	60	02	18	02	00	00	00	00

Like the cyclic mode also the sync mode can be switched off the same way. To do this the PDO 2 must be addressed with the Index 1802h

4.8.4 Example: Number of Sync telegrams

Target: Absolute rotary encoder with 3 SYNC telgrams

Number of SYNC telegrams: X = 03h

Node number: NN = 01 d

FC	NN	Command	Index		Subindex	Service/Process data			
SDO(tx)		Download	1802h		2h	Byte 4	Byte 5	Byte 6	Byte 7
1100 b	01 d	22	02	18	02	03	0	0	0

X: number of Sync-Telegrams after which the Encoder sends the process value

Absolute Rotary Encoder to Master: Confirmation

FC	NN	Command	Index		Subindex	Service/Process data			
SDO(rx)		Download	1802h		2h	Byte 4	Byte 5	Byte 6	Byte 7
1011 b	01 d	60	02	18	02	00	00	00	00

4.8.5 Polled Mode

By a remote-transmission-request telegram the connected host calls off the current process value. The absolute rotary encoder reads the current position value, calculates eventually set-parameters and sends back the obtained process value by the same COB-ID. The PDO (rx) with the function code 0011 is used from the encoder to transmit the position value. This kind of Transmission mode must only be used in status operational.

CMS	Remote Transmission Request Bit (RTR)	Datenlänge
PDO	1	0

CANOPEN USER MANUAL

4.9 Memory Transfer

The parameter settings can be stored in a non-volatile Flash-EEPROM. The parameter settings are stored in RAM when being programmed, because of the limited number of burn cycles of the Flash-EEPROM (≈ 1.000). When all the parameters are set and proved, they can be transferred in one burn cycle to the Flash-EEPROM by the parameter memory transfer.

The stored parameters are copied after a RESET (Power on, NMT-Reset) from the Flash-EEPROM to the RAM (volatile memory).



Attention: The operating mode SYNC or CYCLIC is not saved in the encoder. After a reset or power up the cyclic mode is always started as standard. To switch off the cyclic on you must deactivate the cyclic mode in the state pre-operational. After that you could start the operational state.

CMS	Index	Value	Data Type
SDO	2300h	55 AA AA 55 h	Unsigned 32

Master to absolute rotary encoder:Set-Parameter

FC	NN	Command	Index	Subindex	Service/Process data				
SDO(tx)		Download	2300h		Byte 4	Byte 5	Byte 6	Byte 7	
1100	1-90 d	22	00	23	00	55	AA	AA	55

If the transfer is successful the absolute rotary encoder quotes after 4s with the pre-operational status with a Boot-Up message.

An additional possibility to store the parameter is to use the SDO object 1010. The following parameter has to be transmitted to the encoder:

CMS	Index	Value:	Data length
SDO	1010h	73 61 76 65 h	Unsigned 32

Master to absolute rotary encoder: Set-Parameter

FC	NN	Command	Index	Subindex	Service-/Processdata				
SDO(tx)		Download	1010h		Byte 4	Byte 5	Byte 6	Byte 7	
1100 b	1-90 d	22	10	10	01	73	61	76	65

CANOPEN USER MANUAL

4.10 Wiederherstellen der Standardeinstellungen

The default parameters can be restored. The already in the non-volatile memory programmed parameters are not overwritten. Only after a new store command the default parameters are stored in the non-volatile memory. To restore the default parameter the following telegram is used.

CMS	Index	Value:	Data length
SDO	1011h	6C 6F 61 64 h	Unsigned 32

Master to absolute rotary encoder: Set-Parameter

FC	NN	Command	Index	Subindex	Service-/Processdata			
SDO(tx)		Download	1011h		Byte 4	Byte 5	Byte 6	Byte 7
1100 b	1-90 d	22	11 10	01	6C	6F	61	64

5. Technical Data

5.1. Electrical Data

Interface	Transceiver according ISO 11898, galvanically isolated by opto-couplers
Transmission rate	max. 1 MBaud
Device addressing	Adjustable by rotary switches in connection cap
Supply voltage	10 - 30 V DC (absolute limits)
Current consumption	max. 230 mA with 10 V DC, max. 100 mA with 24 V DC
Power consumption	max. 2.5 Watts
Step frequency LSB	800 kHz
Accuracy of division	$\pm \frac{1}{2}$ LSB (12 bit), ± 2 LSB (16 bit)
EMC	Emitted interference: EN 61000-6-4
	Noise immunity: EN 61000-6-2
Electrical lifetime	> 10 ⁵ h

Tab. 9 Electrical data



Absolute rotary encoders should be connected only to subsequent electronics whose power supplies comply with EN 50178 (protective low voltage)

CANOPEN USER MANUAL

5.2. Mechanical Data

Housing	Aluminum, optional stainless steel		
Lifetime	Dependent on shaft version and shaft loading – refer to table		
Max. shaft loading	Axial 40 N, radial 110 N		
Inertia of rotor	$\leq 30 \text{ gcm}^2$		
Friction torque	$\leq 3 \text{ Ncm}$ (without shaft sealing)		
RPM (continuous operation)	Singleturn: max. 12,000 RPM		
	Multiturn: max. 6,000 RPM		
Shock (EN 60068-2-27)	$\leq 100 \text{ g}$ (half sine, 6 ms)		
Permanent shock (EN 60028-2-29)	$\leq 10 \text{ g}$ (half sine, 16 ms)		
Vibration (EN 60068-2-6)	$\leq 10 \text{ g}$ (10 Hz ... 1,000 Hz)		
Weight (standard version)	Singleturn: $\approx 550 \text{ g}$		
	Multiturn: $\approx 600 \text{ g}$		
Weight (stainless steel version)	Singleturn: $\approx 1,100 \text{ g}$		
	Multiturn: $\approx 1,200 \text{ g}$		
Flange	Synchro (S)		Clamp (C)
Shaft diameter	6 mm	10 mm	10 mm
Shaft length	10 mm	20mm	20 mm
hollow shaft depth min. / max.	-	-	-
			Hollow shaft (B)
			15 mm
			-
			15 mm / 30 mm

Tab. 10 Mechanical data

CANOPEN USER MANUAL

Minimum (mechanical) lifetime

Flange	Lifetime in 10 ⁸ revolutions with F _a / F _r		
	40 N / 60 N	40 N / 80 N	40 N / 110 N
C10 (Clamp flange 10 x 20)	247	104	40
S10 (Synchro flange 10 x 20)	262	110	42
S6 (Synchro flange 6 x 10) without shaft sealing	822	347	133

Tab. 11 Mechanical durability of the encoder

S6 (Synchro flange 6 x 10) with shaft sealing: max. 20 N axial, 80 N radial

Environmental Conditions

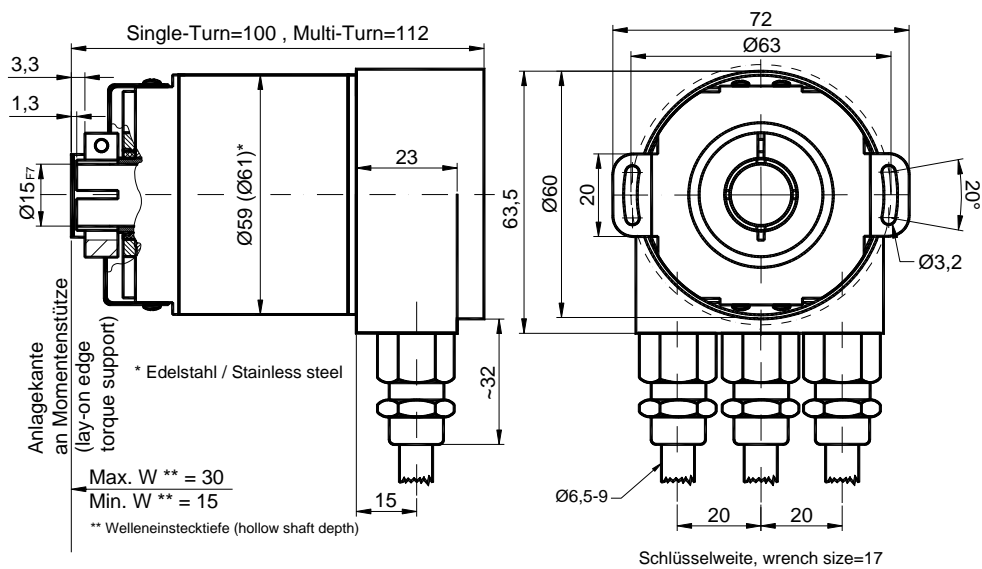
Operating temperature	- 40 .. + 85°C*
Storage temperature	- 40 .. + 85°C*
Humidity	98 % (without liquid state)
Protection class (EN 60529)	Casing side: IP 65
	Shaft side: IP 64 (optional with shaft sealing: IP66)

Tab. 12 Environmental conditions

* Cable exit: -30 ... + 70 °C (static), -5 ... + 70 °C (flexing)

5.3 Mechanical Drawings

B-flange (Blind shaft)



CANOPEN USER MANUAL

Mounting instructions hollow shaft



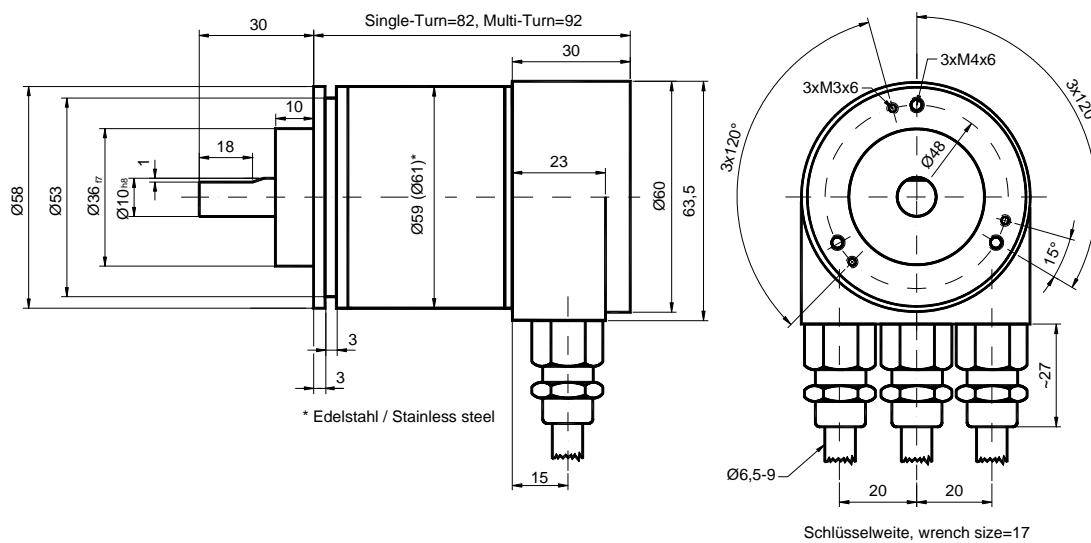
The clamp ring may only be tightened if the shaft of the driving element is in the hollow shaft.

The diameter of the hollow shaft can be reduced to 12mm, 10 mm or 8 mm by using an adapter (this reducing adapter can be pushed into the hollow shaft).

Allowed shaft movements of the drive element are listed in the table.

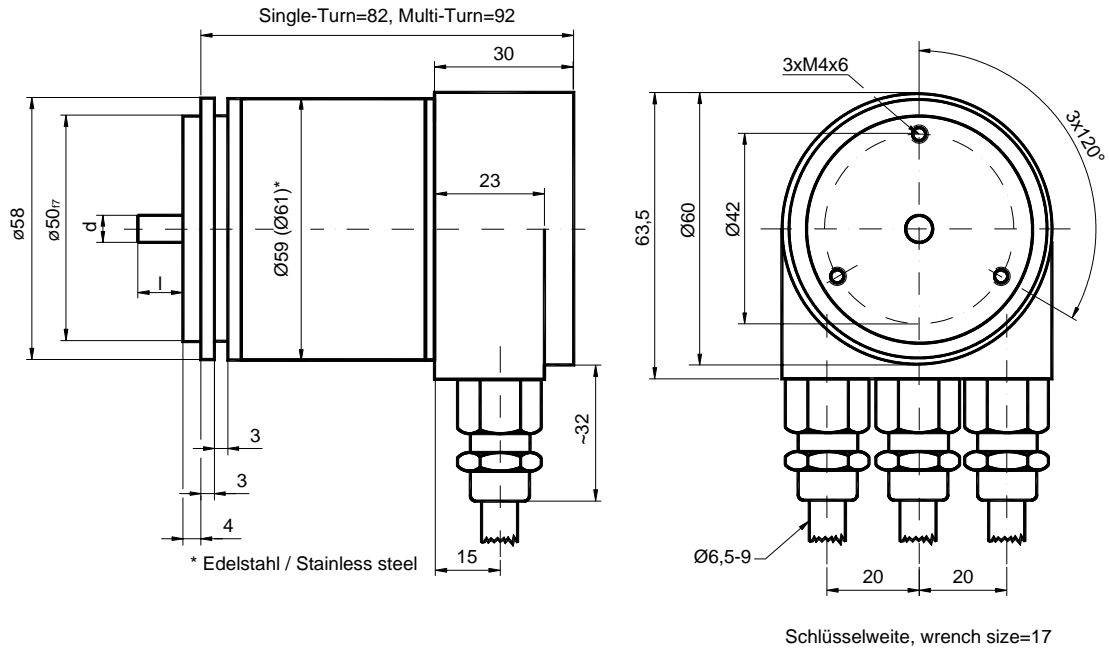
	axial	radial
static	± 0.3 mm	± 0.5 mm
dynamic	± 0.1 mm	± 0.2 mm

C-flange (Clampflange)

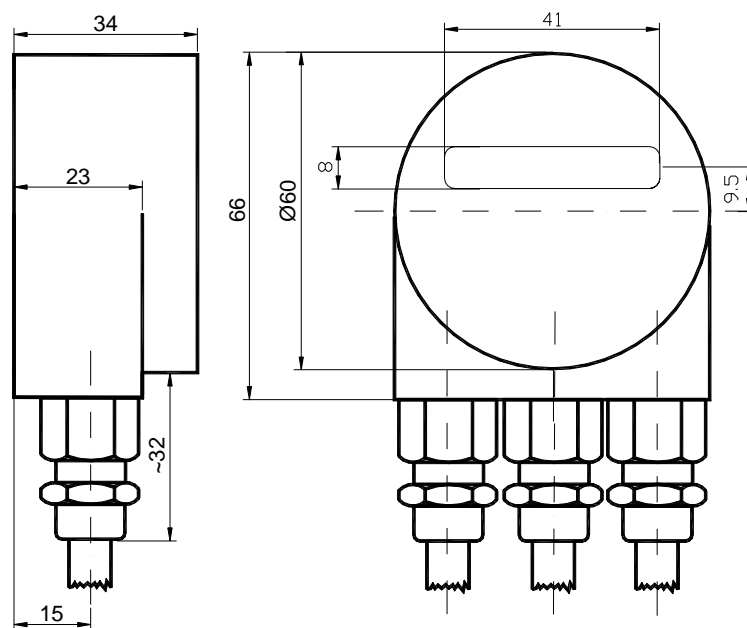


CANOPEN USER MANUAL

S-flange (Synchroflange)



Connection cap with dot-matrix display



CANOPEN USER MANUAL

Installation hints

Both the cable shielding and the metal housings of encoders and subsequent electronics have a shielding function. The housing must have the same potential and be connected to the main signal ground over the machine chassis or by means of a separate potential compensating line. Potential compensating lines should have a minimum cross section of 6 mm².

Do not lay signal cable in the direct vicinity of interference sources (air clearance > 100 mm (4 in.).

A minimum spacing of 200 mm (8 in.) to inductors is usually required, for example in switch-mode power supplies.

Configure the signal lines for minimum length and avoid the use of intermediate terminals.

In metal cable ducts, sufficient decoupling of signal lines from interference signal transmitting cable can usually be achieved with a grounded partition.

CANOPEN USER MANUAL

6. Models/Ordering Description

Description	Typekey							
Reference	MHM-	--	B1	B -	--	--	-	0CC-
Interface	CANopen	C2						
	C2, C5, CF		B1					
Code	Binary			B				
Revolutions (Bits)	Singleturn							
	Multiturn							
	Multiturn							
Steps per revolution	4096							
(Bits)	8192							
	65536							
Flange	Clampflange						C	
	Synchroflange						S	
	Hollow shaft						B	
Shaft diameter	10 mm							10
	06 mm							06
	15 mm (hollow shaft)							15
Mechanical options	without							0
	shaft sealing (IP66)							S
	stainless steel version							V
	customized							C
Connection	Connection cap							0CC

Tab. 13 ordering key

not all combinations possible

Standard = bold, further models on request

ORDERING REFERENCE FOR A 10MM SOLID SHAFT ABSOLUTE MULTITURN ENCODER :
 MHM5 C2 B1 B 12 13 C 10 0 0CC : **MHM510-CANO-001**

ORDERING REFERENCE FOR A 15MM BLIND SHAFT ABSOLUTE MULTITURN ENCODER :
 MHK5 C2 B1 B 12 13 B 15 0 0CC : **MHK515-CANO-001**

CANOPEN USER MANUAL

Accessories and documentation

Description		Typ
Reducing adapter*	15 mm to 12 mm	RR 12
Reducing adapter*	15 mm to 10 mm	RR 10
Reducing adapter*	15 mm to 8 mm	RR 8

* only for hollow shaft

Nota: The ESD can be downloaded free of charge from our Homepage www.bei-ideacod.com.

We do not assume responsibility for technical inaccuracies or omissions. Specifications are subject to change without notice.

CANOPEN USER MANUAL

7. Appendix

7.1 History encoder generations

This chapter gives you informations about older types of absolute rotary encoder with CANopen interface. Technical changes and compatibilities between the different types are specified.

7.1.1 Encodergeneration

The new generation of MHM5 – MHK5 is now delivered. The housing legths and additional flange drillings are the mechanical changes of the new generation. The entry resolution per revolution in the object dictionary is modified and depends on the physical revolution of the device. The data length is unsigned 16 bit for a resolution per revolution of 15 bit and unsigned 32 bit for a physical revolution of 16 bit. Thus there is no change for the handling of the objects if an older encoder with a resolution per

revolution of 13 bit is replaced by the same encoder.

7.1.2 Encodergeneration

Since the 01.03.2001 we deliver only the new encoder generation with CANopen interface. The changes of the type key, the compatibility of the devices (old/new) are composite in a feature matrix. Please use these changes in case of a new order.

Furthermore you can find details concerning changes of the CANopen protocol regarding to the newest CANopen specification (DS-301 V4.0) supported by the new devices. Please forward this information to your technical division.

Concerning the compatibility between old and new generation the following compatibility matrix gives further informations.

Compatibility matrix

connection cap	encoder	function
old	old	OK
old	new	OK
new	old	no function
new	new	OK

CANOPEN USER MANUAL

Version history connection cap

In particular the design of the connection cap is improved. Easier installation due to a new type of screw terminals inside of the connection cap. On the back of the connection cap two multicolour LEDs are implemented for easy diagnosis. The terminal resistor is hooked up via a slide switch. Thus contiuitive bus connection will be cut off. The localisation of accidentally switched on terminal resistors will be made easier. The device address and the baudrate will be adjusted via BCD switches. This made the installation easier.

Changes of the CANopen protocol

The following changes have not be relevant to you because only specific function according to the newest CANopen sepcification (DS-301 V4.0) are not supported anymore or are new implemented. If your application don't use this function, there will be no problem.

Changes of entries in object dictionary

Relevant changes applies to the boot-up message, as well as some entries in the CANopen object index not used by the common user. A complete list of these objects you can find in the following table.

object-nr. (hex)	comment	CANopen profile DS301 V3.0	CANopen profile DS301 V4.0
1004	Number of PDOs supported	supported	according to DS301-V4.0 not supported anymore
100B	Node-ID	supported	according to DS301-V4.0 not supported anymore
100E	COB-ID Guarding protocol	supported	according to DS301-V4.0 not supported anymore
1016	Consumer heartbeat time	reserved	supported
1017	Producer heartbeat time	reserved	supported
1018	Identity Object	reserved	supported

Changing transmit PDO communication parameter

In the new encoder generation the polling isn't supported anymore if the PDO is disabled. According to CANopen specification DS301- V4.0 it is necessary to set the cyclic time (object entry [2200h]) to 0 and left the PDO switched on to poll the encoder. Important! If the PDO is switched off no communication is possible.

The old generation has accepted polling requests in pre-operational state, but wasn't correct according to CANopen standard. In the manual for the old encoder was a hint, that the polling request is not allowed in pre-operational state, because it is not defined in the CANopen standard. So be aware that the new encoder is in general not accepting poll requests in pre-operational state independent of configition of the behaviour as new or old encoder.

Polling in Pre-Operational state

CANOPEN USER MANUAL

Changes in boot-up sequence

If the old encoder generation is connected to the supply voltage or a NMT message (reset node, reset communication) is sent to the encoder, a boot-up message appears. The telegram structure looks like this: identifier: 80hex + node number, data length 0 bytes

This message was not defined by the specification DS301 V3.0, but vendor specific used by some manufactures to show that the device is 'alive'.

According to DS301 V4.0 the new rotary encoder generation doesn't support this message anymore. In place of the old message a common valid boot-up message is defined. The structure looks like this:

identifier: 700hex + node number, data length 1 byte

This boot-up message also appears if the command 'reset node' and 'reset communication' is sent to the encoder.

Handling of spare parts

Boot-up message new encoder and old connection cap

To use the new encoder generation as spare part for the old encoder generation, the new encoder recognize the old

connection cap type and support the specification DS301-V3.0 automatically as well as the appropriate boot-up message.

Changing of the default BootUp message of the B1 version

To get the same boot-up behaviour of the old encoder generation if you use the new encoder generation and the new connection cap type there will be following solution:

The needed protocol type will be activated via a defined device address. Please use the following configuration sequence:

1. Setting the needed address (s. table below).
2. Connect the connection cap to the encoder.
3. Switch on supply voltage.
4. Wait until both LEDs are red.
5. Switch off supply voltage.
6. Remove connection cap.
7. Set up the correct device address. (0-89)
8. Connect the connection cap to the encoder.
9. Switch on supply voltage. normal operation.

protocol according to connection cap type automatically	protocol DS301-V3.0	protocol DS301-V4.0
address 97	address 98	address 99

Beside the set up via hardware there is also the possibility to set up the protocol via SDO objects. For further information please refer the manual.

CANOPEN USER MANUAL

7.2 List of tables

Tab. 1 Protocol definition via BCD turn switches	9
Tab. 2 Assignment baudrate and turn switch	9
Tab. 3 Meaning status LED's	10
Tab. 4 Overview priority of the CANopen objects	12
Tab. 5 Command description	13
Tab. 6 Data length against command byte	13
Tab. 7 General object dictionary	14
Tab. 8 Object dictionary according DS301	14
Tab. 9 Manufacturer specific object dictionary	15
Tab. 10 Nodenummer and baudrate	16
Tab. 11 Bit assignment for baudrate adjustment	29
Tab. 12 Electrical data	34
Tab. 13 Mechanical data	35
Tab. 14 Mechanical durability of the encoder	36
Tab. 15 Environmental conditions	36
Tab. 16 ordering key	40

7.3 List of figures

Fig. 1 Connection cap inside	7
Fig. 2 Cable connection	8
Fig. 3 Connection cap bus in and bus out	8
Fig. 4 Cable preparation	8
Fig. 5 Backside connection cap	10